

JET

JDR-34
JDR-34F

RADIAL DRILL PRESS

Original:

GB
Operating Instructions

Translations:

D
Gebrauchsanleitung

F
Mode d'emploi



JPW (Tool) AG
Tämperlistrasse 5
CH-8117 Fällanden
Switzerland
Phone +41 44 806 47 48
Fax +41 44 806 47 58

www.jettools.com



CE-Conformity Declaration

Product: Drill Press

JDR-34-M

Stock Number: 10000390M

JDR-34-T

Stock Number: 10000390T

JDR-34F-M

Stock Number: 10000395M

JDR-34F-T

Stock Number: 10000395T

Brand: JET

Manufacturer:

JPW (Tool) AG, Tämperlistrasse 5, CH-8117 Fällanden, Switzerland

On our own responsibility we hereby declare that this product complies with the regulations

- * 2006/42/EC Machinery Directive
- * 2004/108/EC EMC Directive (Electro Magnetic Compatibility)
- * 2006/95/EC Low Voltage Directive
- * 2011/65/EU RoHS Directive (Reduction of Hazardous Substances)

designed in consideration of the standards

** EN 12717, EN 60204-1, EN ISO 11202, EN ISO 11145; EN 60825-1, EN 55014-1, EN 55014-2

Technical file compiled by: **Alain Schmid, JPW (TOOL) AG, General Manager**



2015-04-17 **Alain Schmid, General Manager**

JPW (Tool) AG, Tämperlistrasse 5, CH-8117 Fällanden, Switzerland

GB - ENGLISH

Operating Instructions

Dear Customer,

Many thanks for the confidence you have shown in us with the purchase of your new JET-machine. This manual has been prepared for the owner and operators of a **JET JDR-34 / JDR-34F radial drill press** to promote safety during installation, operation and maintenance procedures. Please read and understand the information contained in these operating instructions and the accompanying documents. To obtain maximum life and efficiency from your machine, and to use the machine safely, read this manual thoroughly and follow instructions carefully.

...Table of Contents

1. Declaration of conformity

2. Warranty

3. Safety

Authorized use
General safety notes
Remaining hazards

4. Machine specifications

Technical data
Noise emission
Contents of delivery

5. Transport and start up

Transport and installation
Assembly
Mains connection
Starting operation

6. Machine operation

7. Setup and adjustments

Removing the chuck and arbor
Adjusting the depth stop
Changing spindle speeds
Table tilt adjustment
Head tilt adjustment
Head horizontal adjustment
Cross laser adjustment

8. Maintenance and inspection

9. Trouble shooting

10. Environmental protection

11. Available accessories

1. Declaration of conformity

On our own responsibility we hereby declare that this product complies with the regulations* listed on page 2. Designed in consideration with the standards**.

2. Warranty

The Seller guarantees that the supplied product is free from material defects and manufacturing faults. This warranty does not cover any defects which are caused, either directly or indirectly, by incorrect use, carelessness, accidental damage, repair, inadequate maintenance or cleaning and normal wear and tear.

Guarantee and/or warranty claims must be made within twelve months from the date of purchase (date of invoice). Any further claims shall be excluded.

This warranty includes all guarantee obligations of the Seller and replaces all previous declarations and agreements concerning warranties.

The warranty period is valid for eight hours of daily use. If this is exceeded, the warranty period shall be reduced in proportion to the excess use, but to no less than three months.

Returning rejected goods requires the prior express consent of the Seller and is at the Buyer's risk and expense.

Further warranty details can be found in the General Terms and Conditions (GTC). The GTC can be viewed at www.jettools.com or can be sent by post upon request.

The Seller reserves the right to make changes to the product and accessories at any time.

3. Safety

3.1 Authorized use

This drill press is designed for drilling wood and machinable metal and plastic materials only. Machining of other materials is not permitted and may be carried out in specific cases only after consulting with the manufacturer.

Never cut magnesium- high danger of fire!

The workpiece must allow to safely be loaded and clamped for machining.

The proper use also includes compliance with the operating and maintenance instructions given in this manual.

The machine must be operated only by persons familiar with its operation and maintenance and who are familiar with its hazards.

The required minimum age must be observed.

The machine must only be used in a technically perfect condition.

When working on the machine, all safety mechanisms and covers must be mounted.

In addition to the safety requirements contained in these operating instructions and your country's applicable regulations, you should observe the generally recognized technical rules concerning the operation of wood- and metal-working machines.

Any other use exceeds authorization. In the event of unauthorized use of the machine, the manufacturer renounces all liability and the responsibility is transferred exclusively to the operator.

3.2 General safety notes

Wood and metalworking machines can be dangerous if not used properly. Therefore the appropriate general technical rules as well as the following notes must be observed.

Read and understand the entire instruction manual before attempting assembly or operation.

Keep this operating instruction close by the machine, protected from dirt and humidity, and pass it over to the new owner if you part with the tool.

No changes to the machine may be made.

Daily inspect the function and existence of the safety appliances before you start the machine.

Do not attempt operation in this case, protect the machine by unplugging the power cord.

Remove all loose clothing and confine long hair.

Before operating the machine, remove tie, rings, watches, other jewellery, and roll up sleeves above the elbows.

Wear safety shoes; never wear leisure shoes or sandals.

Always wear the approved working outfit.

Do **not** wear gloves.

Wear goggles when working

Install the machine so that there is sufficient space for safe operation and workpiece handling.

Keep work area well lighted.

The machine is designed to operate in closed rooms and must be placed stable on a firm and levelled table surface.

Make sure that the power cord does not impede work and cause people to trip.

Keep the floor around the machine clean and free of scrap material, oil and grease.

Stay alert!

Give your work undivided attention. Use common sense. Do not operate the machine when you are tired.

Keep an ergonomic body position. Maintain a balanced stance at all times.

Do not operate the machine under the influence of drugs, alcohol or any medication. Be aware that medication can change your behaviour.

Never reach into the machine while it is operating or running down.

Never leave a running machine unattended.

Before you leave the workplace switch off the machine.

Keep children and visitors a safe distance from the work area.

Do not operate the electric tool near inflammable liquids or gases. Observe the fire fighting and fire alert options, for example the fire extinguisher operation and place.

Do not use the machine in a dump environment and do not expose it to rain.

Before machining, remove any nails and other foreign bodies from the workpiece.

Work only with well sharpened tools.

Machine only stock which rests securely on the table.

Always close the chuck guard and pulley cover before you start the machine.

Remove the chuck key and wrenches before machine operation.

Specifications regarding the maximum or minimum size of the workpiece must be observed.

Do not remove chips and workpiece parts until the machine is at a standstill.

Do not stand on the machine.

Connection and repair work on the electrical installation may be carried out by a qualified electrician only.

Have a damaged or worn power cord replaced immediately.

Make all machine adjustments or maintenance with the machine unplugged from the power source.

Never place your fingers in a position where they could contact the drill or other cutting tool if the work piece should unexpectedly shift or your hand should slip.

Secure workpiece against rotation. Use fixtures, clamps or a vice to hold the workpiece.

Never hold the workpiece with your hands alone.

Whenever possible, position the work piece to contact the left side of the column. If it is too short or the table is tilted, clamp solidly to the table. Use the table slots or clamping ledge around the outside of the table.

When using a drill press vice, always fasten it to the table.

Never do any works "freehand" (hand-holding the work piece rather than supporting it on the table), except when polishing.

Securely lock the head to the column and the table bracket to the column before operating the press.

Never move the head or the table while the machine is running.

If a work piece overhangs the table such that it will fall or tip if not held, clamp it to the table or provide auxiliary support.

Do not use wire wheels, router bits, shaper cutters, circle cutters, or rotary planers on this drill press.

To avoid injury from parts thrown by the spring, follow instructions exactly as given when adjusting the spring tension of the quill.

Do not stare into beam of laser

Do not point the laser beam at people or animals.

Do not use the laser beam on highly reflective materials. Reflected light is dangerous.

Repair work on the laser beam may only be carried out by a specialist.

3.3 Remaining hazards

When using the machine according to regulations some remaining hazards may still exist.

The rotating drill bit can cause injury.

Thrown workpieces and workpiece parts can lead to injury.

Dust, chips and noise can be health hazards. Be sure to wear personal protection gear such as safety goggles and dust mask. Use a suitable dust collection system.

The use of incorrect mains supply or a damaged power cord can lead to injuries caused by electricity.

4. Machine specifications

4.1 Technical data

JDR-34:	
Spindle to column	155-415mm
Spindle travel	80mm
Spindle taper	MT-2
Head tilt	45°R/90°L
Chuck capacity	1-16mm
Column diameter	60mm
Table size	220 x 220 mm
Table tilt	+/- 90°
Base size	210x345mm
Distance chuck to table	max 233mm
Distance chuck to base	350mm
Overall L/W/H	830/320/760mm

Number of speeds	5
Range of speeds	500 - 2500 rpm
Weight	39 kg
Mains	230V ~1/N/PE 50Hz
Motor Power	375W (0,5 HP) S1
Reference current	3 A
Laser class 2	<1mW, 400-700nm
Extension cord (H07RN-F):	3x1,5 ²
Installation fuse protection	10A

Mains	400V ~3L/PE 50Hz
Motor Power	375W (0,5 HP) S1
Reference current	1,5 A
Laser class 2	<1mW, 400-700nm
Extension cord (H07RN-F):	4x1,5 ²
Installation fuse protection	10A

JDR-34F:

Spindle to column	155-415mm
Spindle travel	80mm
Spindle taper	MT-2
Head tilt	45°R/90°L
Chuck capacity	1-16mm
Column diameter	73mm
Table size	dia 300mm
Table tilt	+/- 90°
Base size	280x480mm
Distance chuck to table	max 650mm
Distance chuck to base	1200mm
Overall L/W/H	830/320/1660mm
Number of speeds	5
Range of speeds	500 - 2500 rpm
Weight	58 kg

Mains	230V ~1/N/PE 50Hz
Motor Power	375W (0,5 HP) S1
Reference current	2,5 A
Laser class 2	<1mW, 400-700nm
Extension cord (H07RN-F):	3x1,5 ²
Installation fuse protection	10A

Mains	400V ~3L/PE 50Hz
Motor Power	375W (0,5 HP) S1
Reference current	1,5 A
Laser class 2	<1mW, 400-700nm
Extension cord (H07RN-F):	4x1,5 ²
Installation fuse protection	10A

4.2 Noise emission

Acoustic pressure level
(according to EN ISO 11202):
Idling at maximum speed
LpA 70,4 dB(A)

The specified values are emission levels and are not necessarily to be seen as safe operating levels. As workplace conditions vary, this information is intended to allow the user to make a better estimation of the hazards and risks involved only.

4.3 Content of delivery

Machine base
Column and bracket assembly
Head assembly
Table assembly
3 down feed handles
16mm keyless chuck
MT-2/ B16 arbor
Chuck guard
Drift key
Cross laser
Operating tools
Assembly kit
Operating manual
Spare parts list.

5. Transport and start up

5.1 Transport and installation

The machine is designed to operate in closed rooms and must be placed stable on firm and levelled surface.

The machine must be bolted down!

For packing reasons the machine is not completely assembled.

5.2 Assembly

If you notice transport damage while unpacking, notify your supplier immediately. Do not operate the machine!

Dispose of the packing in an environmentally friendly manner.

Clean all rust protected surfaces with a mild solvent.

With the aid of a second person, carefully lift the head onto the column top.

Caution:

The head assembly is heavy! Use care when lifting onto the column!

Insert the pressure plate (B, Fig 1) before assembly!

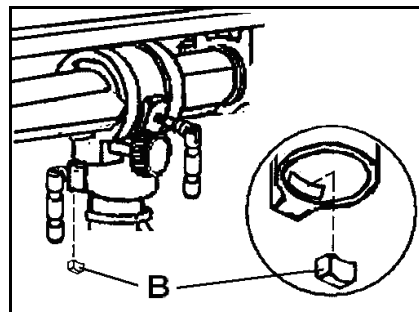


Fig 1

Rotate the head assembly until the sides of the belt cover are parallel with the sides of the base.

Firmly tighten clamping knob (H, Fig 5).

Chuck guard Assembly

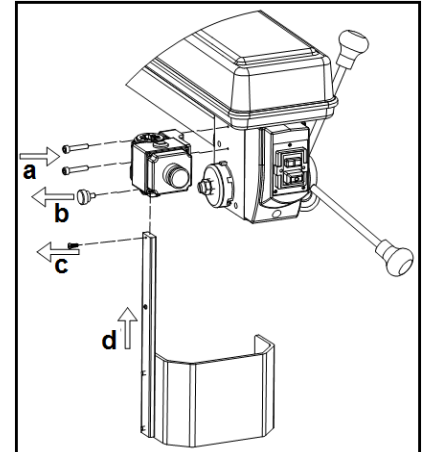


Fig 2

Install the E-stop switch box onto head, with M6x25 hex cap screws (a, Fig 2)

Remove knurled bolt (b, Fig 2)

Remove M3 pan head screw (c, Fig 2)

Insert the chuck guard (d, Fig 2)

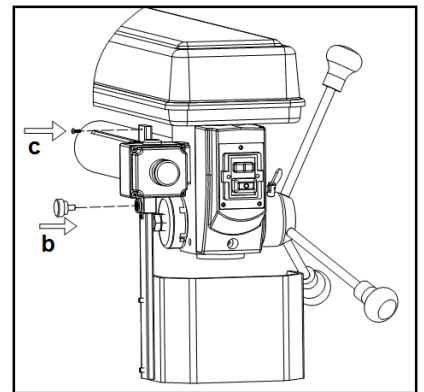


Fig 3

Install M3 pan head screw (c, Fig 3)

Install knurled bolt (b, Fig 3)

5.3 Mains connection

Mains connection and any extension cords used must comply with applicable regulations.

The mains voltage must comply with the information on the machine licence plate.

The mains connection must have a 10 A surge-proof fuse.

Only use power cords marked H07RN-F

Connections and repairs to the electrical equipment may only be carried out by qualified electricians.

5.4 Starting operation

You can start the machine with the green on button. The red button on the main switch stops the machine.

In case of emergency push the E-stop button to stop the machine.

The cross laser can be turned on/off independently.

6. Machine operation

Always adjust the table and the depth stop to prevent drilling into the table. Use a back-up piece of scrap wood to cover the table. This protects both the table and the drill bit.

Secure work piece to the table with clamps or a vice to prevent rotating with the drill bit.

Feed the bit into the material with only enough force to allow the drill bit to work. Feeding too slowly may cause burning of the work piece. Feeding too quickly may cause the motor to stop and/or the drill bit to break.

Recommended speeds for a 10mm HSS drill:

Wood:	2000 RPM
Plastic:	1500 RPM
Aluminium:	1500 RPM
Brass:	1500 RPM
Cast iron:	1000 RPM
Mild steel:	800 RPM
High carbon steel:	600 RPM
Stainless steel:	300 RPM

Generally speaking, the smaller in relation the drill bit, the greater the RPM required.

Wood requires higher speeds than metal.

Metal is usually drilled at slower speeds; cutting oil is applied if necessary.

Warning:

Always keep your hands well clear of the rotating bit.

Do not remove chips and workpiece parts until the machine is at a standstill.

Always close the chuck guard and pulley cover before you start the machine.

When using a drill press vice, always fasten it to the table.

Never do any works “freehand” (hand-holding the work piece rather than supporting it on the table), except when polishing.

Support long workpieces with helping roller stands.

Do not use wire wheels, router bits, shaper cutters, circle cutters, or rotary planers on this drill press.

Never cut magnesium-high danger of fire!

Do not stare into beam of laser.

7. Setup and adjustments

General note:

Setup and adjustment work may only be carried out after the machine is protected against accidental starting by pulling the mains plug.

7.1 Removing the Chuck and Arbor

Unplug the machine from the power source.

Lower the quill using the down feed handle.

Rotate the spindle to align the key in the spindle with the key hole in the quill.

Insert the drift key (A, Fig.2) into the aligned slots and tap lightly. Have another person (or a protected table) catch the chuck and arbor assembly as it falls away from the spindle.

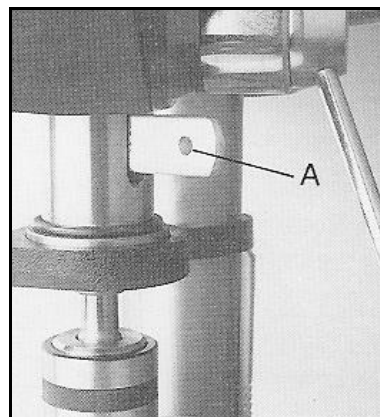


Fig 2

7.2 Adjusting the Depth Stop

To drill multiple holes at the same preset depth, use the depth stop:

With the drill bit in the chuck, lower the down feed handle to advance the chuck to the desired point.

Turn the depth scale collar (C, Fig. 3) counter-clockwise until it stops moving.

Tighten the depth scale lock (D).

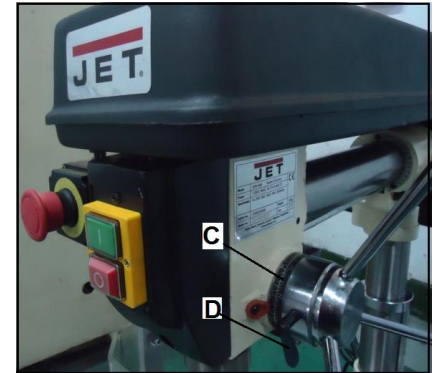


Fig 3

The drill bit will now advance only to this point.

7.3 Changing Spindle Speeds

Open the pulley cover.

A spindle speed and belt arrangement chart is found on the inside of the pulley cover. Refer to this chart whenever changing speeds.

To change spindle speeds:

Disconnect the machine from the power source (unplug).

Bring the motor base as close to the head as possible.

Change the belts location according the speed chart and the speed you desire.

Tension the belt.

Close the pulley cover.

7.4 Table Tilt Adjustment

Disconnect the machine from the power source (unplug).

Loosen the hex cap bolt to tilt the table.

Caution:

Only loosen the hex cap bolt slightly, otherwise the table assembly will separate from the column and fall.

Tighten the hex cap bolt.

7.5 Head Tilting Adjustment

Disconnect the machine from the power source (unplug).

Head can be tilted by 45° clockwise and 90° counter clockwise.

To tilt pull out and disengage the 90° index pin (E, Fig 4).

Loosen the clamping lever (F, Fig 4) and tilt according to the scale and reference line (G).

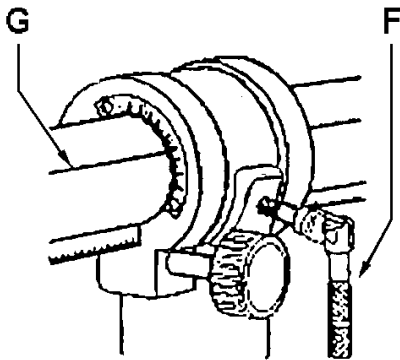


Fig 4

Then tighten the clamping lever again.

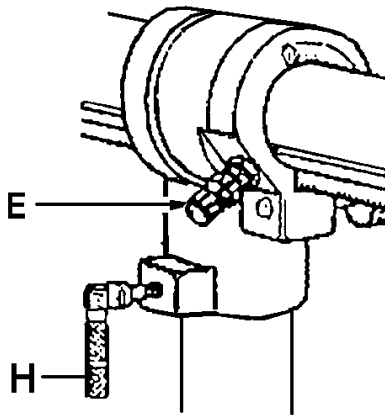


Fig 5

7.6 Head Horizontal Adjustment

Disconnect the machine from the power source (unplug).

Head can be rotated by 360°.

Therefore loosen the clamping lever (H, Fig 5).

Head can be moved back and forth. Therefore loosen the clamping lever (F, Fig 6) and turn back and forth the moving knob (I).

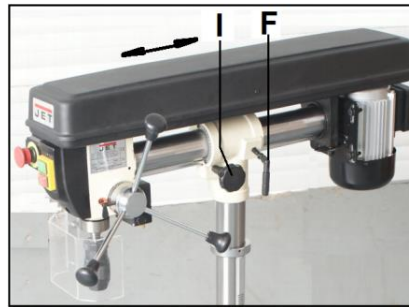


Fig 6

Then tighten clamping lever again.

7.7 Cross Laser Adjustment

The two line lasers (J, Fig 7) need to be turned until both beams meet at the drill centre (Fig 8).

Loosen **Screw (K)** for adjustment.

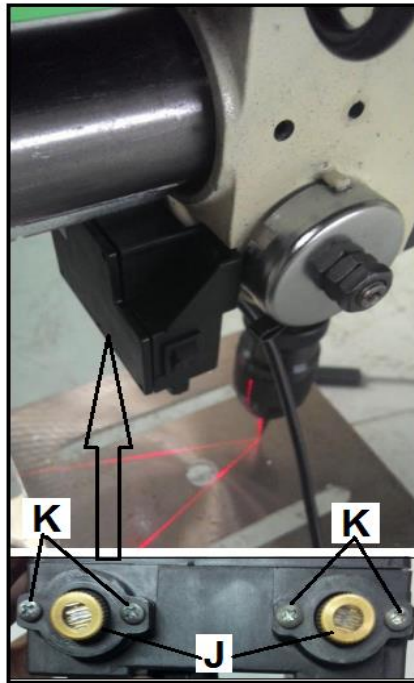


Fig 7

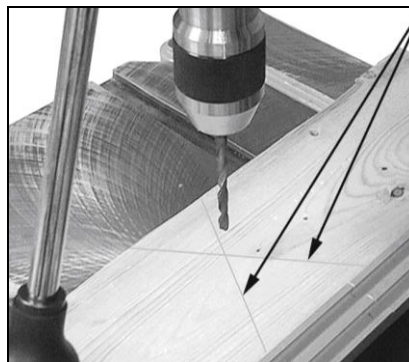


Fig 8

Attention:
Class 2 Laser Product.

Do not stare into beam of laser

Do not view directly with optical instruments

Do not point the laser beam at people or animals.

Do not use the laser beam on highly reflective materials. Reflected light is dangerous.

Repair work on the laser beam may only be carried out by a specialist.

8. Maintenance and inspection

General notes:

Maintenance, cleaning and repair work may only be carried out after the machine is protected against accidental starting by pulling the mains plug.

Periodically lubricate gently with grease.

-the drive splines (grooves) in the spindle.

-the teeth of the quill.

Clean the machine regularly.

Defective safety devices must be replaced immediately.

Repair and maintenance work on the electrical system may only be carried out by a qualified electrician.

9. Trouble shooting

Motor doesn't start

*No electricity-
check mains and fuse.

*Defective switch, motor or cord-
consult an electrician.

Chuck will not stay on spindle

*Oil or grease on contact surfaces-
clean the tapered surfaces of chuck
and spindle.

Machine vibration

*Incorrect belt tension-
Adjust belt tension.

*Dry spindle quill-
lubricate spindle quill.

*Spindle pulley loose-
tighten retaining nut.

*Motor pulley loose-
Tighten set screw.

*dull drill bit-
resharpen drill bit.

Drill bit burns

*incorrect speed-
reduce speed.

*Chips clogged-
retract drill bit frequently

*dull drill bit-
resharpen drill bit.

*feeding too slow-
feed faster.

Drill leads off

*cutting lips or angle not equal-
resharpen drill bit correctly.

*drilled hole off centre-
drill a pilot hole first.

*bent drill bit-
use a proper drill bit.

*drill bit not properly installed-
install drill bit correctly.

Laser cross not on drill centre

*laser cross not adjusted correct-
adjust laser (see chapter 7.7)

Laser doesn't work

*Defective line laser or power supply-
consult an electrician

Repair work on the laser beam may
only be carried out by a specialist.

10. Environmental protection

Protect the environment.

Your appliance contains valuable
materials which can be recovered or
recycled. Please leave it at a
specialized institution.

11. Available accessories

Stock Number 1000391

Open stand for JDR-34

DE - DEUTSCH

Gebrauchsanleitung

Sehr geehrter Kunde,

vielen Dank für das Vertrauen, welches Sie uns beim Kauf Ihrer neuen JET-Maschine entgegengebracht haben. Diese Anleitung ist für den Inhaber und die Bediener zum Zweck einer sicheren Inbetriebnahme, Bedienung und Wartung der **Radialbohrmaschinen JDR-34 / JDR-34F** erstellt worden. Beachten Sie bitte die Informationen dieser Gebrauchsanleitung und der beiliegenden Dokumente. Lesen Sie diese Anleitung vollständig, insbesondere die Sicherheitshinweise, bevor Sie die Maschine zusammenbauen, in Betrieb nehmen oder warten. Um eine maximale Lebensdauer und Leistungsfähigkeit Ihrer Maschine zu erreichen befolgen Sie bitte sorgfältig die Anweisungen.

Inhaltsverzeichnis

- 1. Konformitätserklärung**
- 2. Garantieleistungen**
- 3. Sicherheit**
Bestimmungsgemäße Verwendung
Allgemeine Sicherheitshinweise
Restrisiken
- 4. Maschinenspezifikation**
Technische Daten
Schallemission
Lieferumfang
- 5. Transport und Inbetriebnahme**
Transport und Aufstellung
Montage
Elektrischer Anschluss
Inbetriebnahme
- 6. Betrieb der Maschine**
- 7. Rüst- und Einstellarbeiten**
Bohrfutterwechsel
Bohrtiefenanschlag Einstellung
Drehzahlwechsel
Tischschwenkung
Bohrkopf Einstellung
Verstellung der Ausladung
Kreuzlasereinstellung
- 8. Wartung und Inspektion**
- 9. Störungsabhilfe**
- 10. Umweltschutz**
- 11. Lieferbares Zubehör**

1. Konformitätserklärung

Wir erklären in alleiniger Verantwortlichkeit, dass dieses Produkt mit den auf Seite 2 angegebenen Richtlinien* übereinstimmt.

Bei der Konstruktion wurden folgende Normen** berücksichtigt.

2. Garantieleistungen

Der Verkäufer garantiert, dass das gelieferte Produkt frei von Material- und Fertigungsfehlern ist. Diese Garantie trifft nicht auf jene Defekte zu, welche auf direkten oder indirekten, nicht fachgerechten Gebrauch, Unachtsamkeit, Unfallschaden, Reparatur, mangelhafte Wartung bzw. Reinigung sowie normalen Verschleiß zurückzuführen sind.

Garantie- bzw. Gewährleistungsansprüche müssen innerhalb von 12 Monaten ab dem Verkaufsdatum (Rechnungsdatum) geltend gemacht werden. Weitergehende Ansprüche sind ausgeschlossen.

Die vorliegende Garantie umfasst sämtliche Garantieverpflichtungen seitens des Verkäufers und ersetzt alle früheren Erklärungen und Vereinbarungen betreffend Garantien.

Die Garantiefrist gilt für eine tägliche Betriebszeit von 8 Stunden. Wird diese überschritten, so verkürzt sich die Garantiefrist proportional zur Überschreitung, jedoch höchstens auf 3 Monate.

Die Rücksendung beanstandeter Ware bedarf der ausdrücklichen vorherigen Zustimmung vom Verkäufer und geht auf Kosten und Gefahr des Käufers.

Die ausführlichen Garantieleistungen sind den Allgemeinen Geschäftsbedingungen (AGB) zu entnehmen. Die AGB sind unter www.jettools.com einzusehen oder werden auf Anfrage per Post zugestellt.

Der Verkäufer behält sich das Recht vor, jederzeit Änderungen am Produkt und Zubehör vorzunehmen.

3. Sicherheit

3.1 Bestimmungsgemäße Verwendung

Diese Radialbohrmaschine ist ausschließlich zum Bohren von Holz und zerspanbaren Kunststoffen und Metallen geeignet.

Die Bearbeitung anderer Werkstoffe ist nicht zulässig bzw. darf in Sonderfällen nur nach Rücksprache mit dem Maschinenhersteller erfolgen.

Niemals Magnesium zerspanen- Hohe Feuergefahr!

Es dürfen nur Werkstücke bearbeitet werden welche sicher zugeführt und gespannt werden können.

Die bestimmungsgemäße Verwendung beinhaltet auch die Einhaltung der vom Hersteller angegebenen Betriebs- und Wartungsanweisungen.

Die Maschine darf ausschließlich von Personen bedient werden, die mit Betrieb und Wartung vertraut und über die Gefahren unterrichtet sind.

Das gesetzliche Mindestalter ist einzuhalten.

Die Maschine nur in technisch einwandfreiem Zustand mit montierten Schutzeinrichtungen betreiben.

Neben den in der Gebrauchsanleitung enthaltenen Sicherheitshinweisen und den besonderen Vorschriften Ihres Landes sind die für den Betrieb von Holz- und Metallbearbeitungsmaschinen allgemein anerkannten fachtechnischen Regeln zu beachten.

Jeder darüber hinaus gehende Gebrauch gilt als nicht bestimmungsgemäß und für daraus resultierende Schäden haftet der Hersteller nicht. Das Risiko trägt allein der Benutzer.

3.2 Allgemeine Sicherheitshinweise

Holz- und Metallbearbeitungsmaschinen können bei unsachgemäßem Gebrauch gefährlich sein. Deshalb ist zum sicheren Betreiben die Beachtung der zutreffenden Unfallverhütungsvorschriften und der nachfolgenden Hinweise erforderlich.

Lesen und verstehen Sie die komplette Gebrauchsanleitung bevor Sie mit Montage oder Betrieb der Maschine beginnen.

Bewahren Sie die Bedienungsanleitung, geschützt vor Schmutz und Feuchtigkeit, bei der Maschine auf, und geben Sie sie an einen neuen Eigentümer weiter.

An der Maschine dürfen keine Veränderungen, An- und Umbauten vorgenommen werden.

Überprüfen Sie täglich vor dem Einschalten der Maschine die einwandfreie Funktion und das Vorhandensein der erforderlichen Schutzeinrichtungen.

Festgestellte Mängel an der Maschine oder den Sicherheitseinrichtungen sind zu melden und von den beauftragten Personen zu beheben.

Nehmen Sie die Maschine in solchen Fällen nicht in Betrieb, sichern Sie die Maschine gegen Einschalten durch Ziehen des Netzsteckers.

Zum Schutz von langem Kopfhair Mütze oder Haarnetz aufsetzen.

Enganliegende Kleidung tragen, Schmuck, Ringe und Armbanduhren ablegen.

Tragen Sie Schutzschuhe, keinesfalls Freizeitschuhe oder Sandalen.

Verwenden Sie die durch Vorschriften geforderte persönliche Schutzausrüstung.

Beim Arbeiten an der Maschine **keine Handschuhe** tragen.

Beim Arbeiten Schutzbrille tragen.

Die Maschine so aufstellen, dass genügend Platz zum Bedienen und zum Führen der Werkstücke gegeben ist.

Sorgen Sie für gute Beleuchtung.

Achten Sie darauf, dass die Maschine standsicher auf festem und ebenem Grund steht.

Beachten Sie dass die elektrische Zuleitung nicht den Arbeitsablauf behindert und nicht zur Stolperstelle wird.

Den Arbeitsplatz frei von behindernden Werkstücken, etc. halten.

Seien Sie aufmerksam und konzentriert. Gehen Sie mit Vernunft an die Arbeit.

Achten Sie auf ergonomische Körperhaltung. Sorgen Sie für sicheren Stand und halten Sie jederzeit das Gleichgewicht.

Arbeiten Sie niemals unter dem Einfluss von Rauschmitteln wie Alkohol und Drogen an der Maschine. Beachten Sie, dass auch Medikamente Einfluss auf Ihr Verhalten nehmen können.

Niemals in die laufende Maschine greifen.

Die laufende Maschine nie unbeaufsichtigt lassen. Vor dem Verlassen des Arbeitsplatzes die Maschine ausschalten.

Halten Sie Unbeteiligte, insbesondere Kinder vom Gefahrenbereich fern.

Benützen Sie die Maschine nicht in der Nähe von brennbaren Flüssigkeiten oder Gasen. Beachten Sie die Brandmelde- und Brandbekämpfungsmöglichkeiten z.B. Standort und Bedienung von Feuerlöschern.

Benützen Sie die Maschine nicht in feuchter Umgebung und setzen Sie sie nicht dem Regen aus.

Vor der Bearbeitung Nägel und andere Fremdkörper aus dem Werkstück entfernen.

Nur mit gut geschärften Werkzeugen arbeiten.

Bearbeiten Sie nur ein Werkstück, das sicher auf dem Tisch aufliegt.

Arbeiten Sie nie bei geöffnetem Bohrfutterschutz oder Riemenschutz.

Entfernen Sie vor dem Start den Bohrfutterschlüssel und andere Werkzeuge.

Angaben über die min. und max. Werkstückabmessungen müssen eingehalten werden.

Späne und Werkstückteile nur bei stehender Maschine entfernen.

Nicht auf der Maschine stehen.

Arbeiten an der elektrischen Ausrüstung der Maschine dürfen nur durch eine Elektrofachkraft vorgenommen werden.

Tauschen Sie ein beschädigtes Netzkabel sofort aus.

Umrüst-, Einstell- und Reinigungsarbeiten nur im Maschinenstillstand und bei gezogenem Netzstecker vornehmen.

Halten Sie mit ihren Fingern ausreichend Abstand zum rotierenden Bohrwerkzeug, beachten Sie dass das Werkstück oder Ihre Hände verrutschen können.

Sichern Sie das Werkstück gegen Mitdrehen. Verwenden Sie Spannpratzen, einen Schraubstock oder eine Hilfsvorrichtung um das Werkstück zu fixieren. Halten Sie das Werkstück niemals mit den Händen allein.

Wenn immer möglich stützen Sie das Werkstück an der Säule gegen Verdrehung ab. Falls das Werkstück dazu zu kurz ist oder der Tisch geschwenkt wurde klemmen Sie das Werkstück am Tisch fest. Verwenden Sie dazu die Tischnuten oder eine außen angesetzte Schraubzwinge.

Den Schraubstock immer am Tisch festschrauben.

Arbeiten Sie niemals freihändig (frei gehaltenes Werkstück ohne Abstützung am Tisch), außer bei Polierarbeiten.

Überprüfen Sie die korrekte Befestigung des Bohrkopfes und des Bohrtisches bevor Sie mit der Maschine arbeiten.

Führen Sie bei laufender Maschine keine Verstellungen am Bohrkopf und am Bohrtisch durch.

Falls die Schwerpunktklage des Werkstückes außerhalb des Tisches liegt klemmen Sie es am Tisch fest oder stützen Sie es mit einem Rollbock ab.

Verwenden Sie keine Drahtbürstwerkzeuge, Fräswerkzeuge, Kreisschneider und Schleifscheiben auf dieser Maschine.

Achtung vor wegfliegenden Teilen bei der Rückholfeder Einstellung.

Niemals in den Laserstrahl schauen.

Richten Sie den Laserstrahl nicht auf Personen oder Tiere.

Verwenden Sie den Linienlaser nicht bei stark reflektierendem Material. Reflektiertes Licht ist gefährlich.

Reparaturen am Linienlaser dürfen nur von einer Fachkraft ausgeführt werden.

3.3 Restrisiken

Auch bei vorschriftsmäßiger Benutzung der Maschine bestehen die nachfolgend aufgeführten Restrisiken.

Verletzungsgefahr durch den rotierenden Bohrer.

Gefährdung durch wegfliegende Werkstücke und Werkstückteile.

Gefährdung durch Lärm und Staub. Unbedingt persönliche Schutzausrüstungen wie Augen-, Gehör- und Staubschutz tragen. Eine geeignete Absauganlage einsetzen!

Gefährdung durch Strom, bei nicht ordnungsgemäßer Verkabelung.

4. Maschinenspezifikation

4.1 Technische Daten

JDR-34:

Ausladung	155-415mm
Bohrhub	80mm
Spindelaufnahme	MK-2
Bohrkopfschwenkung	45°R/90°L
Schnellspannbohrfutter	1-16mm
Säulendurchmesser	60mm
Tischgröße	220 x 220 mm
Tischschwenkung	+/- 90°
Sockelgröße	210x345mm
Bohrfutter zu Tisch	max 235mm
Bohrfutter zu Sockel	350mm
Abmessung L/B/H	830/320/760mm
Drehzahlen	5
Drehzahlbereich	500 – 2500 U/min
Maschinengewicht	42 kg

Netzanschluss	230V ~1/N/PE 50Hz
Abgabeleistung	375W (0,5 PS) S1
Betriebsstrom	3A
Klasse 2 Laser	<1mW, 400-700nm
Anschlussleitung (H07RN-F)	3x1,5mm ²
Bauseitige Absicherung	10A

Netzanschluss	400V ~3L/PE 50Hz
Abgabeleistung	375W (0,5 PS) S1
Betriebsstrom	1,5A
Klasse 2 Laser	<1mW, 400-700nm
Anschlussleitung (H07RN-F)	4x1,5mm ²
Bauseitige Absicherung	10A

JDR-34F:

Ausladung	155-415mm
Bohrhub	80mm
Spindelaufnahme	MK-2
Bohrkopfschwenkung	45°R/90°L
Schnellspannbohrfutter	1-16mm
Säulendurchmesser	73mm
Tischgröße	dia. 300mm
Tischschwenkung	+/-90°
Sockelgröße	280x480mm
Bohrfutter zu Tisch	max 650mm
Bohrfutter zu Sockel	1200mm
Abmessung L/B/H	830/320/1660mm
Drehzahlen	5
Drehzahlbereich	500 - 2500 U/min
Maschinengewicht	61 kg

Netzanschluss	230V ~1/N/PE 50Hz
Abgabeleistung	375W (0,5 PS) S1
Betriebsstrom	3A
Klasse 2 Laser	<1mW, 400-700nm
Anschlussleitung (H07RN-F)	3x1,5mm ²
Bauseitige Absicherung	10A

Netzanschluss	400V ~3L/PE 50Hz
Abgabeleistung	375W (0,5 PS) S1
Betriebsstrom	1,5A
Klasse 2 Laser	<1mW, 400-700nm
Anschlussleitung (H07RN-F)	4x1,5mm ²
Bauseitige Absicherung	10A

4.2 Schallemission

Schalldruckpegel (nach EN ISO 11202):
Leerlauf LpA 70,4 dB(A)

Die angegebenen Werte sind Emissionspegel und sind nicht notwendigerweise Pegel für sicheres Arbeiten.

Sie sollen dem Anwender eine Abschätzung der Gefährdung und des Risikos ermöglichen.

4.3 Lieferumfang

Maschinensockel
Säule und Tischführung
Bohrkopf komplett
Bohrtisch
3 Stück Bohrvorschubhebel
16mm Schnellspannbohrfutter
Aufnahmedorn MK2
Bohrfutterschutz
Auswurfkeil
Kreuzlaser
Bedienwerkzeug
Montagezubehör
Gebrauchsanleitung
Ersatzteilliste

5. Transport und Inbetriebnahme

5.1. Transport und Aufstellung

Die Aufstellung der Maschine sollte in geschlossenen Räumen erfolgen, werkstattübliche Bedingungen sind dabei ausreichend.

Die Aufstellfläche muss ausreichend eben und belastungsfähig sein.

Die Maschine muss festgeschraubt werden.

Aus verpackungstechnischen Gründen ist die Maschine nicht komplett montiert.

5.2 Montage

Wenn Sie beim Auspacken einen Transportschaden feststellen, benachrichtigen Sie umgehend Ihren Händler, nehmen Sie das Gerät nicht in Betrieb.

Entsorgen Sie die Verpackung bitte umweltgerecht.

Entfernen Sie das Rostschutzfett mit einem milden Lösungsmittel.

Montieren Sie den Bohrkopf.

Achtung:

Der Bohrkopf ist schwer! Seien Sie vorsichtig und holen Sie sich Hilfe zum Aufsetzen.

Montieren Sie die Druckplatte (B, Fig 1) vor dem Aufsetzen des Bohrkopfes.

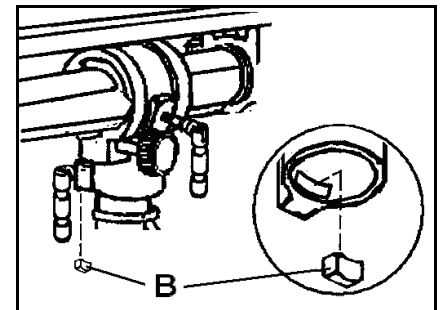


Fig 1

Richten Sie den Bohrkopf parallel zum Maschinensockel aus.

Den Klemmhebel (H, Fig 5) anziehen.

Bohrfutterschutz Montage

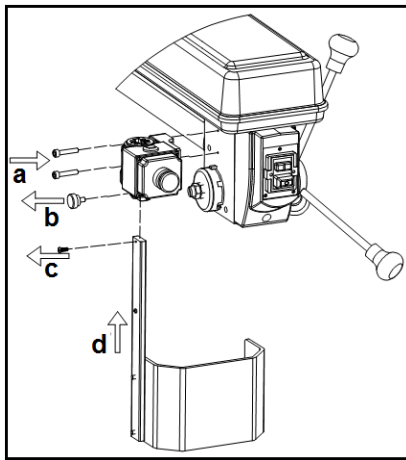


Fig 2

Montieren Sie den Not-Stop Schalter am Bohrkopf, mit M6x25 Schrauben (a, Fig 2)

Entfernen Sie die Rändelschraube (b, Fig 2)

Entfernen Sie die M3 Linsenkopfschraube (c, Fig 2)

Montieren Sie den Bohrfutterschutz (d, Fig 2)

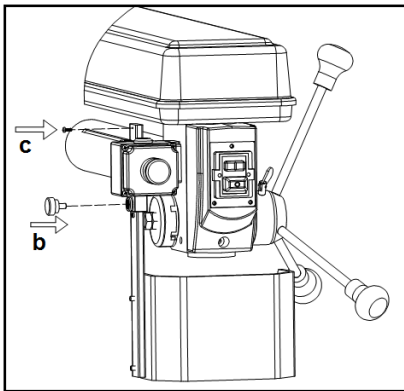


Fig 3

Montieren Sie die M3 Linsenkopfschraube (c, Fig 3)

Montieren Sie die Rändelschraube (b, Fig 3)

5.3 Elektrischer Anschluss

Der kundenseitige Netzanschluss sowie die verwendeten Verlängerungsleitungen müssen den Vorschriften entsprechen.

Die Netzspannung und Frequenz müssen mit den Leistungsschilddaten an der Maschine übereinstimmen.

Die bauliche Absicherung muss dabei 10A betragen.

Verwenden Sie nur Anschlussleitungen mit Kennzeichnung H07RN-F

Anschlüsse und Reparaturen der elektrischen Ausrüstung dürfen nur von einer Elektrofachkraft durchgeführt werden.

5.4 Inbetriebnahme

Mit dem grünen Eintaster am Hauptschalter kann die Maschine gestartet werden: Mit dem roten Aus-Taster kann die Maschine stillgesetzt werden.

Der Not-Stop Taster stoppt die Maschinenfunktion.

Der Kreuzlaser kann unabhängig ein-/ ausgeschaltet werden.

6. Betrieb der Maschine

Stellen Sie die Tischhöhe und den Bohrtiefenanschlag so ein dass Sie nicht in den Bohrtisch bohren.

Ein Stück Abfallholz als Unterlage schützt sowohl den Bohrer als auch den Bohrtisch.

Sichern Sie das Werkstück gegen Mitnahme durch den Bohrer. Klemmen Sie das Werkstück am Tisch fest oder setzen Sie einen Schraubstock ein.

Wählen Sie die Bohrvorschubkraft so dass der Bohrer zügig bohrt. Ein zu geringer Bohrvorschub führt zu vorzeitigem Bohrerverschleiß und Brandstellen am Werkstück, ein zu hoher Bohrvorschub kann den Motor stoppen oder den Bohrer brechen.

Drehzahlempfehlung für einen 10mm HSS Bohrer.

Holz:	2000 U/min
Kunststoff:	1500 U/min
Aluminium:	1500 U/min
Messing:	1500 U/min
Grauguss:	1000 U/min
Stahl (C15):	800 U/min
Stahl (C45):	600 U/min
Rostfreier Stahl:	300 U/min

Allgemein ausgedrückt:
Im Verhältnis je kleiner der Bohrerdurchmesser, desto höher die Drehzahl.

Holz braucht höhere Drehzahlen als Metall.
Metall wird mit niedrigen Drehzahlen gebohrt, erforderlichenfalls wird auch mit Schneidöl geschmiert.

Achtung:

Halten Sie mit ihren Fingern ausreichend Abstand zum rotierenden Bohrwerkzeug, beachten Sie dass das Werkstück oder Ihre Hände verrutschen können.

Späne und Werkstückteile nur bei stehender Maschine entfernen.

Arbeiten Sie nie bei geöffnetem Bohrfutterschutz oder Riemenschutz.

Den Schraubstock immer am Tisch festschrauben.

Arbeiten Sie niemals freihändig (frei gehaltenes Werkstück ohne Abstützung am Tisch), außer bei Polierarbeiten.

Lange Werkstücke durch Rollenböcke abstützen.

Verwenden Sie keine Drahtbürstwerkzeuge, Fräswerkzeuge, Kreisschneider oder Schleifscheiben auf dieser Maschine.

Niemals Magnesium zerspanen-Hohe Feuergefahr!

Niemals in den Laserstrahl schauen.

7. Rüst- und Einstellarbeiten

Allgemeine Hinweise

Vor Rüst- und Einstellarbeiten muss die Maschine gegen Inbetriebnahme gesichert werden.

Netzstecker ziehen!

7.1 Bohrfutterwechsel

Die Stromzufuhr durch Ziehen des Netzsteckers trennen.

Die Bohrpole absenken.

Drehen Sie die Spindel bis die radialen Schlitze von Spindel und Pinole miteinander fluchten.

Stecken Sie den Auswurfkeil (A, Fig. 2) in den Schlitz und hämmern Sie leicht. Sichern Sie das herabfallende Bohrfutter von Hand oder durch einen geschützten Bohrtisch.

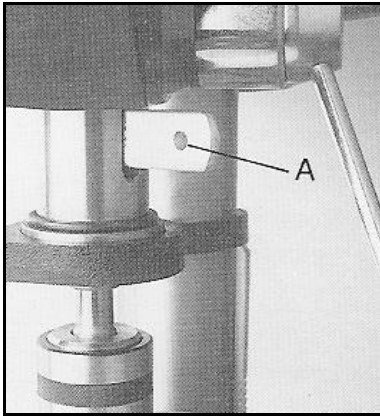


Fig 2

7.2 Bohrtiefenanschlag Einstellung

Zum Bohren mehrerer Löcher in gleicher Bohrtiefe verwenden Sie den Bohrtiefenanschlag.

Senken Sie die Spindel mit eingespanntem Bohrer auf die gewünschte Bohrtiefe ab.

Drehen Sie den Stellring (C, Fig.3) gegen den Uhrzeigersinn, bis zum Anschlag und klemmen Sie die Griffschraube (D) fest.



Fig 3

Der Bohrer wird nun auf dieser Höhe gestoppt.

7.3 Drehzahlwechsel

Öffnen Sie die Riemenabdeckung.

Ein Drehzahl-Riemenlauf Schaubild befindet sich an der Innenseite der Riemenabdeckung.

Orientieren Sie sich danach bei jedem Drehzahlwechsel.

Drehzahlwechsel durchführen:

Die Stromzufuhr durch Ziehen des Netzsteckers trennen.

Entspannen Sie den Riemen.

Wechseln Sie die Riemenlage entsprechend des Drehzahl-Riemenlauf Schaubildes.

Spannen Sie den Riemen.

Schließen Sie die Riemenabdeckung

7.4 Tischschwenkung

Die Stromzufuhr durch Ziehen des Netzsteckers trennen.

Lösen Sie die Sechskantschraube um den Tisch zu schwenken.

Achtung:

Die Sechskantschraube nur leicht lösen da andernfalls die gesamte Tischeinheit herunterfallen kann.

Die Sechskantschraube wieder festziehen.

7.5 Bohrkopfschwenkung

Die Stromzufuhr durch Ziehen des Netzsteckers trennen.

Der Bohrkopf kann 45° nach Rechts und 90° nach Links geschwenkt werden.

Zum Schwenken den 90° Indexierstift (E, Fig 5) herausziehen und drehen.

Lösen Sie den Klemmhebel (F, Fig 4) und schwenken Sie entsprechend der Skala und Bezugslinie (G).

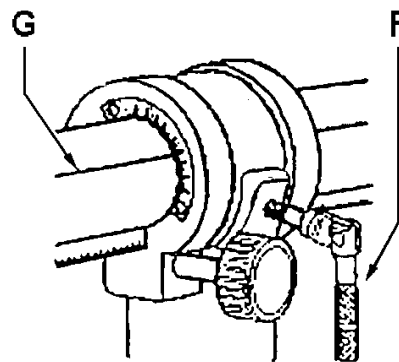


Fig 4

Ziehen Sie den Klemmhebel wieder fest.

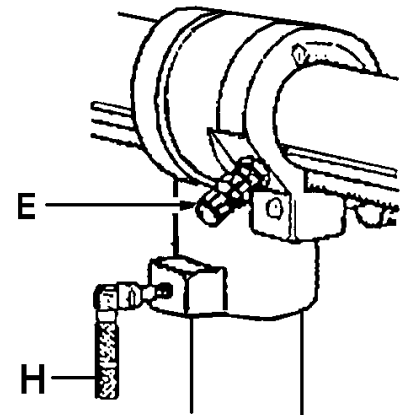


Fig 5

7.6 Verstellung der Ausladung

Die Stromzufuhr durch Ziehen des Netzsteckers trennen.

Der Bohrkopf kann auf der Säule um 360° gedreht werden.

Dazu lösen Sie den Klemmhebel (H, Fig 5).

Die Ausladung zur Säule kann verstellt werden.

Lösen Sie den Klemmhebel (F, Fig 6). Mit Drehknopf (I) kann gewünschte Einstellung erreicht werden.

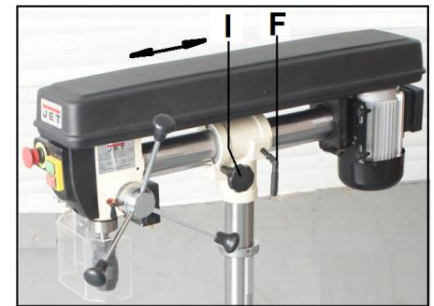


Fig 6

Den Klemmhebel festziehen.

7.7 Kreuzlaser Einstellung

Die zwei Linienlaser (J, Fig 7) müssen so eingestellt werden, bis sich ihre Strahlen am Bohrmittelpunkt treffen (Fig 8).

Zur Einstellung lösen Sie die Drehknöpfe (K).

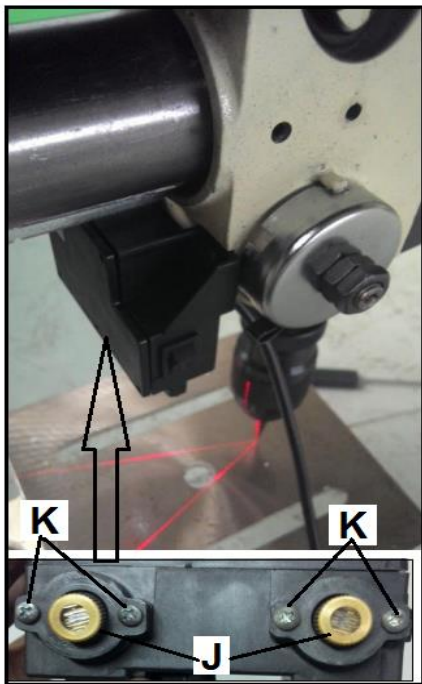


Fig.7

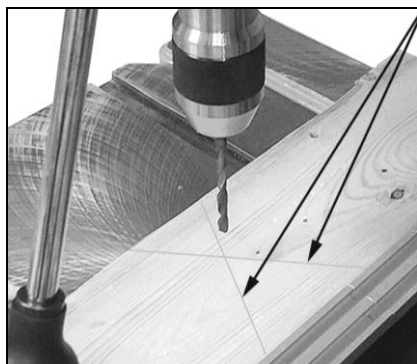


Fig 8

**Achtung:
Laser Klasse 2**

Nicht in den Laserstrahl schauen.

Nicht direkt mit optischen Instrumenten in den Strahl schauen.

Richten Sie den Laserstrahl nicht auf Personen oder Tiere.

Verwenden Sie den Kreuzlaser nicht bei stark reflektierendem Material. Reflektiertes Licht ist gefährlich.

Reparaturen am Kreuzlaser dürfen nur von einer Fachkraft ausgeführt werden.

8. Wartung und Inspektion

**Allgemeine Hinweise
Vor Wartungs- Reinigungs- und
Reparaturarbeiten muss die
Maschine gegen Inbetriebnahme
gesichert werden.
Netzstecker ziehen!**

Schmieren Sie in regelmäßigen Abständen mit etwas Fett.
-Spindel-Antriebskeilwelle
-Spindel-Pinolenverzahnung

Reinigen Sie die Maschine in regelmäßigen Zeitabständen.

Beschädigte Sicherheitseinrichtungen sofort ersetzen.

Anschlüsse und Reparaturen der elektrischen Ausrüstung dürfen nur von einer Elektrofachkraft durchgeführt werden.

9. Störungsabhilfe

Motor startet nicht

*Kein Strom-
Netzsicherung prüfen.

*Motor, Schalter oder Kabel defekt-
Elektrofachkraft kontaktieren.

Bohrfutter löst sich

*Schmutz oder Fett am Kegeldorn-
Kontaktflächen an Spindel und
Bohrfutter müssen fettfrei sein.

Maschine vibriert

*falsche Riemenspannung-
Riemenspannung kontrollieren.

*Spindelpinole ist trocken-
Spindelpinole fetten.

*Spindelriemenscheibe lose-
Spindelmutter festziehen.

*Motorriemenscheibe lose-
Gewindestift festziehen.

*Bohrer verschlissen-
Bohrer schärfen.

Bohrer glüht aus

*falsche Drehzahl gewählt-
Drehzahl reduzieren.

*Bohrer mit Spänen verstopft-
Bohrrückzug öfter vornehmen.

*Bohrer verschlissen-
Bohrer schärfen.

*Bohrvorschub zu gering-
Vorschub erhöhen.

Bohrloch verläuft

*Bohrer asymmetrisch geschliffen-
Bohrer korrekt schärfen

*Bohrlochanfang versetzt-
Zentrierbohrer einsetzen.

*Bohrer verbogen-
Neuen Bohrer einsetzen.

*Bohrer nicht korrekt gespannt-
Bohrer erneut einspannen.

**Laserkreuz nicht im
Bohrzentrum**

*Laserkreuz nicht richtig eingestellt-
Laser einstellen (siehe Kap. 7.7)

Linienlaser leuchtet nicht

*Linienlaser oder Stromzufuhr defekt -
Elektrofachkraft kontaktieren.

Reparaturen am Linienlaser dürfen nur von einer Fachkraft ausgeführt werden.

10. Umweltschutz

Schützen Sie die Umwelt!

Ihr Gerät enthält mehrere unterschiedliche , wiederverwertbare Werkstoffe.

Bitte entsorgen Sie es nur an einer spezialisierten Entsorgungsstelle.

11. Lieferbares Zubehör

Ersatzteil Nummer 10000391
Maschinenuntersatz für JDR-34.

FR - FRANCAIS

Mode d'emploi

Cher client,

Nous vous remercions de la confiance que vous nous portez avec l'achat de votre nouvelle machine JET. Ce manuel a été préparé pour l'opérateur des **perceuses radiales JDR 34 / JDR 34F**. Son but, mis à part le fonctionnement de la machine, est de contribuer à la sécurité par l'application correcte des procédés d'utilisation et de maintenance. Avant de mettre l'appareil en marche, lire les consignes de sécurité et de maintenance dans leur intégralité. Pour obtenir une longévité et fiabilité maximales de votre perceuse, et pour contribuer à l'usage sûr de la machine, veuillez lire attentivement ce mode d'emploi et suivre les instructions.

Table des Matières

1. Déclaration de conformité

2. Prestations de garantie

3. Sécurité

Utilisation conforme
Consignes de sécurité
Risques

4. Spécifications

Indications techniques
Emission de bruit
Contenu de la livraison

5. Transport et montage

Transport
Montage
Raccordement au réseau électr.
Mise en exploitation

6. Fonctionnement de la machine

7. Réglages

Changement du mandrin
Réglage butée de profondeur
Changement de vitesse
Inclinaison de la table
Réglage de la tête de forage
Réglage de la distance broche-bâti
Réglage du laser croisé

8. Entretien et inspection

9. Détecteur de pannes

10. Protection de l'environnement

11. Accessoires

1. Déclaration de conformité

Par le présent et sous notre responsabilité exclusive, nous déclarons que ce produit satisfait aux normes conformément aux lignes directrices indiquées page 2.

2. Prestations de garantie

Le vendeur garantit que le produit livré est exempt de défauts de matériel et de fabrication. La présente garantie ne s'applique pas aux défauts résultant d'une utilisation directe ou indirecte incorrecte, de l'inattention, d'un accident, d'une réparation, d'une maintenance ou d'un nettoyage insuffisant, ou encore de l'usure normale.

Il est possible de faire valoir des prétentions en garantie dans les 12 mois suivant la date de la vente (date de la facture). Toute autre prétention est exclue.

La présente garantie comprend toutes les obligations de garantie incombant au vendeur et remplace toutes les déclarations et conventions antérieures en termes de garanties.

Le délai de garantie s'applique pour une durée d'exploitation de huit heures par jour. Au-delà, le délai de garantie diminue proportionnellement au dépassement, mais pas en deçà de trois mois.

Le renvoi d'une marchandise faisant l'objet d'une réclamation requiert l'accord préalable exprès du vendeur et s'effectue aux frais et aux risques de l'acheteur.

Les prestations de garantie détaillées figurent dans les Conditions générales (CG). Ces dernières sont disponibles sur www.jettools.com ou peuvent être envoyées par la poste sur demande.

Le vendeur se réserve le droit de modifier à tout moment le produit et les accessoires.

3. Sécurité

3.1 Utilisation conforme

Cette perceuse convient au perçage du bois et des matières plastiques et métaux à coupe rapide.

Le travail d'autres matériaux est interdit et ne peut être effectué que dans des cas spéciaux et après accord du fabricant de la machine.

Ne jamais usiner du magnésium-Danger d'incendie!

La pièce doit se laisser poser et serrer sans problème.

L'utilisation conforme implique le strict respect des instructions de service et de maintenance indiquées dans ce manuel.

La machine doit être exclusivement utilisée par des personnes familiarisées avec le fonctionnement, la maintenance et la remise en état, et qui sont informées des dangers correspondants.

L'âge requis par la loi est à respecter.

La machine ne doit être utilisée que si elle est en parfait état.

N'utiliser la machine que si tous les dispositifs de sécurité et de protection sont en place.

Toutes les directives relatives à la prévention des accidents ainsi que les consignes de sécurité doivent être scrupuleusement respectées.

En cas d'utilisation non-conforme de la machine, le fabricant décline toute responsabilité qui est en tel cas rejetée exclusivement sur l'utilisateur.

3.2 Consignes de sécurité

L'usage non conforme des machines servant au travail du bois et du métal peut s'avérer dangereux, c'est pourquoi vous devez lire attentivement ce mode d'emploi avant de monter ou d'utiliser votre appareil.

Conserver à proximité de la machine tous les documents fournis avec l'outillage (dans une pochette en plastique, à l'abri de la poussière, de l'huile et de l'humidité) et veiller à joindre cette documentation si vous cédez l'appareil.

Ne pas effectuer de modifications à la machine. Utiliser les accessoires recommandés, des accessoires incorrects peuvent être dangereux.

Chaque jour avant d'utiliser la machine, contrôler les dispositifs de protection et le fonctionnement impeccable.

En cas de défauts à la machine ou aux dispositifs de protection avvertir les personnes compétentes et ne pas utiliser la machine. Déconnecter la machine du réseau.

Avant de mettre la machine en marche, retirer cravate, bagues, montre ou autres bijoux et retrousser les manches jusqu'aux coudes. Enlever tous vêtements flottants et nouer les cheveux longs.

Porter des chaussures de sécurité, surtout pas de tenue de loisirs ou de sandales.

Porter équipement de sécurité personnel pour travailler à la machine.

Ne pas porter de gants.

Pendant l'utilisation porter des lunettes de protection.

Placer la machine de sorte à laisser un espace suffisant pour la manoeuvre et le guidage des pièces à usiner.

Veiller à un éclairage suffisant.

Placer la machine sur une surface stable et plane.

S'assurer que le câble d'alimentation ne gêne pas le travail ni ne risque de faire trébucher l'opérateur.

Conserver le sol autour de la machine propre, sans déchets, huile ou graisse.

Prêter grande attention à votre travail et rester concentré.

Eviter toute position corporelle anormale.

Veiller à une position stable et garder un bon équilibre à tout moment.

Ne pas travailler sous l'influence de drogues, d'alcool ou de médicaments.

Ne jamais mettre la main dans la machine pendant le travail.

Ne jamais laisser la machine en marche sans surveillance. Arrêter la machine avant de quitter la zone de travail.

Eloigner de la machine toutes personnes incompetentes, surtout les enfants.

Ne pas mettre la machine à proximité de liquides ou de gaz inflammables. Tenir compte des moyens de détections et des dispositifs de lutte contre les incendis, par ex emplacement et usage des extincteurs.

Préserver la machine de l'humidité et ne jamais l'exposer à la pluie.

Retirer les clous et autres corps étrangers de la pièce avant de débiter l'usinage.

Travailler seulement avec des outils bien aiguisés.

Usiner seulement des pièces, que l'on peut bien poser sur la table.

Ne jamais utiliser la machine en laissant le protecteur du mandrin ou de la courroie ouvert.

Avant de mettre la machine en marche éloigner la clé du mandrin et autres outils.

Se tenir aux spécifications concernant la dimension maximale ou minimale de la pièce à usiner.

Ne pas enlever les copeaux et les pièces usinées avant que la machine ne soit à l'arrêt.

Ne pas se mettre sur la machine.

Tous travaux de branchement et de réparation sur l'installation électrique doivent être exécutés uniquement par un électricien qualifié.

Remplacer immédiatement tout câble endommagé ou usé.

Faire tous les travaux de réglage ou de maintenance seulement après avoir débranché la machine du réseau.

Garder les doigts à une distance suffisante du perceur en rotation, tenir compte que la pièce ou vos mains peuvent glisser.

S'assurer que la pièce ne peut pas tourner.

Utiliser des griffes de serrage, un étau ou autre dispositif pour fixer la pièce. Ne jamais tenir la pièce seulement avec les mains.

Si possible appuyer la pièce contre la colonne pour éviter une torsion. Si pour cela la pièce est trop courte ou la table est inclinée, serrer la pièce sur la table.

Utiliser pour cela les rainures ou un serre-joint à serrage par vis.

Toujours serrer l'étau à la table.

Ne jamais travailler une pièce tenue en l'air, sans la poser sur la table, sauf pour des travaux de polissage.

Vérifier la fixation correcte de la tête de forage et de la table avant de commencer le travail.

Ne jamais faire de réglage à la tête de forage ou à la table pendant que la machine est en marche.

Si le centre de gravité de votre pièce se trouve en dehors de la table, utiliser un support roulant.

Ne pas utiliser sur cette machine d'outils de fraisage et pour brosse métallique, pour fraise trépaneuse et meules.

Faire attention aux pièces éjectées pendant le réglage du ressort de rappel.

Ne jamais diriger les rayons du laser dans les yeux.

Ne jamais pointer le rayon laser vers des personnes ou des animaux.

Ne pas utiliser le laser de guidage en liaison avec des matériaux fortement réfléchissants. La lumière réfléchie est dangereuse.

Les réparations au niveau du laser de guidage doivent uniquement être réalisées par un spécialiste.

3.3 Risques

Même en respectant les directives et les consignes de sécurité, les risques suivants existent.

Risques de blessures par le perceur en rotation.

Danger par pièces éjectées.

Risque de nuisances par poussières de bois, copeaux et bruit.
Porter équipements de sécurité personnels tels que lunettes, cache-visage pour travailler sur la machine.
Utiliser un collecteur de poussières!

Danger par câble électrique endommagé, usé ou mal branché.

4. Spécifications

4.1 Indications techniques

JDR-34 :

Distance broche-colonne 155-415mm
Perçage 80mm
Arbre CM-2
Pivotement tête de forage 45°D/90°G
Mandrin à serrage rapide 1-16mm
Diamètre de colonne 60mm
Dimensions de table 220 x 220 mm
Pivotement table +/- 90°
Dimensions socle 210x345mm
Distance mandrin/table max 235mm
Distance mandrin/socle 350mm
Dimensions L / l / h 830/320/760mm
Nombre de tours 5
Plage de vitesse 500 – 2500 T/min
Poids net 42 kg

Voltage 230V ~1/N/PE 50Hz
Puissance 375W (0.5 CV) S1
Courant électrique 3A
Laser classe 2 <1mW, 400-700nm
Raccordement (H07RN-F)3x1,5mm²
Fusible du secteur électr. 10A

Voltage 400V ~3L/PE 50Hz
Puissance 375W (0.5 CV) S1
Courant électrique 1,5A
Laser classe 2 <1mW, 400-700nm
Raccordement (H07RN-F)4x1,5mm²
Fusible du secteur électr. 10A

JDR-34F :

Distance broche-colonne 155-415mm
Perçage 80mm
Arbre CM-2
Pivotement tête de forage 45°D/90°G
Mandrin à serrage rapide 1-16mm
Diamètre de colonne 73mm
Dimension de table dia. 300mm
Pivotement table +/-90°
Dimensions socle 280x480mm
Distance mandrin/table max 650mm
Distance mandrin/socle 1200mm
Dimensions L / l / h 830/320/1660mm
Nombre de tours 5
Plage de vitesse 500 - 2500 T/min
Poids net 61 kg

Voltage 230V ~1/N/PE 50Hz
Puissance 375W (0.5 CV) S1
Courant électrique 3A
Laser classe 2 <1mW, 400-700nm
Raccordement (H07RN-F)3x1,5mm²
Fusible du secteur électr. 10A

Voltage 400V ~3L/PE 50Hz
Puissance 375W (0.5 CV) S1
Courant électrique 1,5A
Laser classe 2 <1mW, 400-700nm
Raccordement (H07RN-F)4x1,5mm²
Fusible du secteur électr. 10A

4.2 Emission de bruit

Niveau de pression sonore (selon EN ISO 11202):
Marche à vide LpA 70,4 dB(A)

Les indications données sont des niveaux de bruit et ne sont pas forcément les niveaux pour un travail sûr.
Ainsi l'utilisateur peut estimer les dangers et les risques possibles.

4.3 Contenu de la livraison

Socle
Colonne et glissière de table
Tête de perçage complète
Table
3 leviers d'avance de perçage
Mandrin rapide 16 mm
Arbre CM-2
Protecteur de mandrin
Éjecteur
Laser croisé
Outil de travail
Accessoires de montage
Mode d'emploi
Liste pièces de rechange

5. Transport et mise en exploitation

5.1. Transport

Effectuer le montage de la machine dans un local fermé ou un atelier respectant les conditions de menuiserie.

Placer la machine sur une surface stable et plane.

La machine peut également être fixée sur la surface.

Pour des raisons techniques d'emballage la machine n'est pas complètement montée à la livraison.

5.2 Montage

Déballer la machine. Avertir JET immédiatement si vous constatez des pièces endommagées par le transport et ne pas monter la machine.

Éliminer l'emballage dans le respect de l'environnement.

Enlever la protection antirouille avec un dissolvant.

Fixer la tête de forage.

Attention:

**La tête de forage est lourde!
Travailler avec prudence et demander de l'aide pour effectuer ce travail.**

Avant de fixer la tête de forage, monter la plaque de serrage (B, Fig 1).

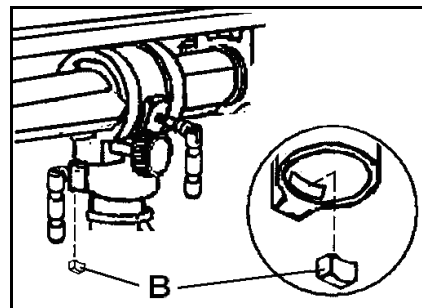


Fig 1

Ajuster la tête de forage parallèlement au socle.

Bloquer le bouton de serrage (H, Fig 5).

Montage protecteur de mandrin

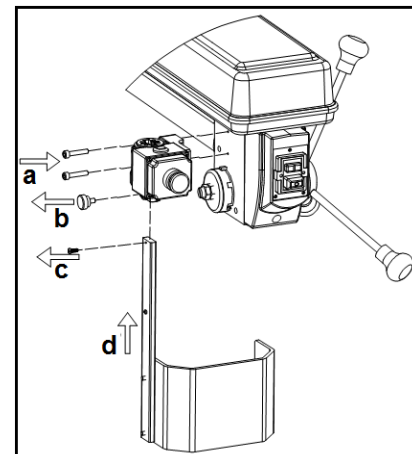


Fig 2

Installer le coup de poing sur la tête, avec les vis M6x25 (a, Fig 2)

Retirer la vis moletée (b, Fig 2)

Retirer la vis M3 (c, Fig 2)

Installer le protecteur de mandrin (d, Fig 2)

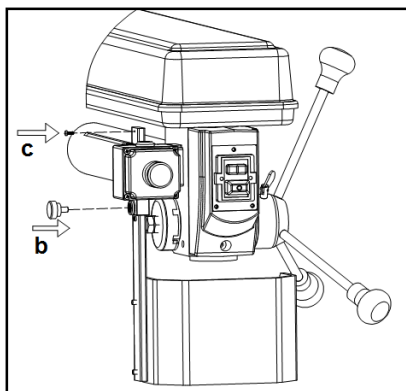


Fig 3

Installer la vis M3 (c, Fig 3)

Installer la vis moletée (b, Fig 3)

5.3 Raccordement au réseau électr.

Le raccordement ainsi que les rallonges utilisées doivent correspondre aux instructions. Le voltage et la fréquence doivent être conformes aux données inscrites sur la machine.

Le fusible de secteur électrique doit avoir 10A.

Utiliser pour le raccordement des câbles H07RN-F.

Tous travaux de branchement et de réparation sur l'installation électrique doivent être exécutés uniquement par un électricien qualifié.

5.4 Mise en exploitation

Mettre la machine en route avec le bouton vert. Arrêter la machine avec le bouton rouge.

Le bouton d'arrêt d'urgence arrête la fonction de la machine.

Le laser croisé peut être mis en route et arrêtés séparément.

6. Fonctionnement de la machine

Ajuster la hauteur de la table et la profondeur du perçage de manière à ne pas percer dans la table. Insérer un bout de bois pour protéger la table ainsi que le perceur.

S'assurer que le perceur ne fera pas bouger la pièce. Serrer la pièce à la table ou se servir d'un étau.

Choisir la vitesse de manière à ce que le perceur puisse travailler rapidement et sans interruption.

Une avance de perçage trop minime risque de faire des traces de brûlure, une vitesse de perçage trop élevée peut stopper le moteur ou briser le perceur.

Nombres de tours conseillés pour un perceur 10mm HSS.

Bois: 2000 T/min

Matière plastique: 1500 T/min

Aluminium: 1500 T/min

Laiton: 1500 T/min

Fonte grise: 1000 T/min

Acier (C15): 800 T/min

Acier (C45): 600 T/min

Acier inox: 300 T/min

En général:

Plus le diamètre du perçage est petit, plus le nombre de tours utilisé est grand.

Le bois nécessite un nombre de tours plus élevé que les matières métalliques.

Perçer le métal avec un petit nombre de tours, si nécessaire utiliser de l'huile de coupe.

Attention:

Garder les doigts à une distance suffisante au perceur en rotation, tenir compte que la pièce ou vos mains peuvent glisser.

Ne pas enlever les copeaux et les pièces usinées avant que la machine ne soit à l'arrêt.

Ne jamais travailler en laissant le protecteur du mandrin ou de la courroie ouverts.

Toujours serrer l'étau à la table.

Ne jamais travailler une pièce tenue en l'air, sans la poser sur la table, sauf pour des travaux de polissage.

Poser les pièces longues sur des supports roulants.

Ne pas utiliser d'outils de fraisage et pour brosse métallique, pour fraise trépaneuse et meules sur cette machine.

Ne jamais usiner du magnésium- Danger d'incendie!

Ne jamais diriger les rayons du laser dans les yeux.

7. Réglages

Attention

Faire tous les travaux de maintenance ou de réglage après avoir débranché la machine du réseau.

7.1 Changement mandrin

Déconnecter la machine du réseau.

Abaisser la douille de la broche de perçage.

Tourner la broche jusqu'à ce que la rainure de la broche et de la douille se croisent.

Insérer l'éjecteur (A, Fig. 2) dans la rainure et marteler légèrement. Protéger la table ou tenir le mandrin avec la main.

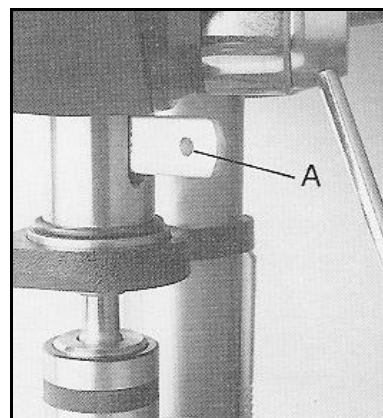


Fig 2

7.2 Réglage butée de profondeur

Pour un perçage de plusieurs trous de la même profondeur, utiliser la butée de profondeur.

Abaisser l'arbre avec le perceur à la profondeur demandée.

Tourner la bague de réglage (C, Fig.3) dans le sens inverse des aiguilles d'une montre, jusqu'à la butée et bloquer la vis moletée (D).



Fig 3

Le perceur est maintenant bloqué à cette hauteur.

7.3 Changement de vitesse

Ouvrir le carter de la courroie.

Un graphique vitesse-course de courroie se trouve à l'intérieur du carter.

S'orienter sur ce graphique à chaque changement de vitesse.

Pour effectuer le changement de vitesse:

Déconnecter la machine du réseau.

Relâcher la courroie.

Changer la position de la courroie selon le graphique vitesse-course de courroie.

Tendre la courroie.

Refermer le carter.

7.4 Inclinaison de table

Déconnecter la machine du réseau.

Desserrer la vis borgne pour incliner la table.

Attention:

Desserrer la vis borgne seulement légèrement, sinon la table complète peut tomber.

Resserrer la vis.

7.5 Pivotement de la tête de forage

Déconnecter la machine du réseau.

La tête de forage peut être pivotée à 45° à droite et à 90° à gauche.

Pour le pivotement retirer la goupille de réglage à 90° (E, Fig 5) et tourner.

Débloquer le levier de serrage (F, Fig 4) et faire pivoter la graduation ainsi que la ligne de référence (G) dans la position souhaitée.

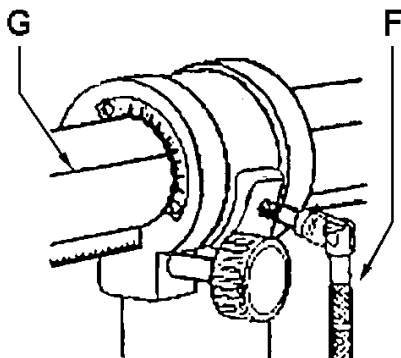


Fig 4

Bloquer à nouveau le levier de serrage.

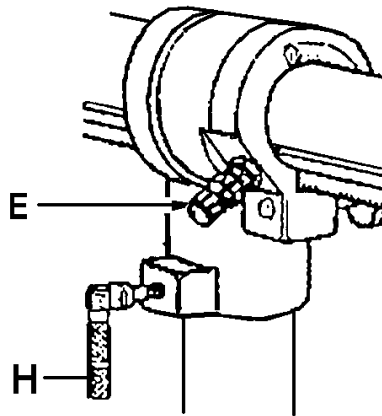


Fig 5

7.6 Réglage de la distance broche-tête

Déconnecter la machine du réseau.

Sur la colonne, on peut faire pivoter la tête de forage de 360°. Pour cela, débloquer le levier de serrage (H, Fig 5).

La distance à la colonne peut être modifiée.

Desserrer le levier de serrage (F, Fig 6).

La position souhaitée peut être réglée avec le bouton tournant (I).

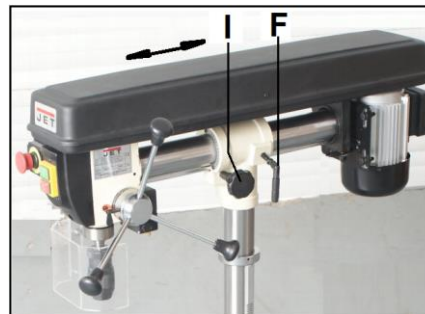


Fig 6

Bloquer le levier de serrage.

7.7 Réglage du laser croisé

Les 2 faisceaux du laser (J, Fig 7) doivent être réglés de façon à ce qu'ils convergent au centre du point de forage (Fig 8).

Pour le réglage, dévisser les boutons tournants (K).

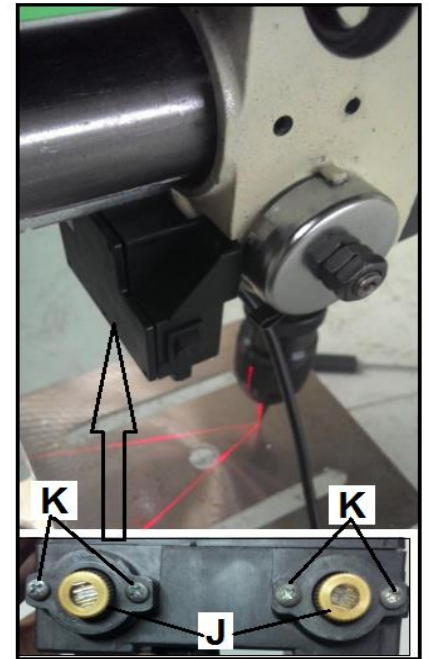


Fig 7

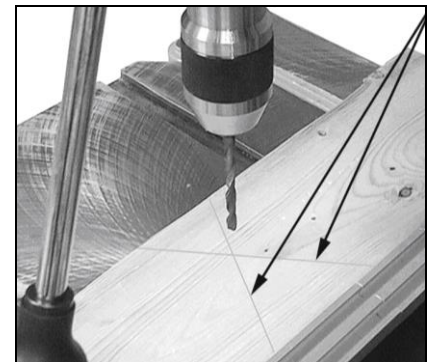


Fig 8

Attention: Laser classe 2

Ne jamais regarder dans le rayon laser.

Ne pas observer directement le faisceau laser au moyen d'instruments optique.

Ne jamais pointer le rayon laser vers des personnes ou des animaux.

Ne pas utiliser le laser de guidage en liaison avec des matériaux fortement réfléchissants. La lumière réfléchiée est dangereuse.

Les réparations au niveau du laser de guidage doivent uniquement être réalisées par un spécialiste.

8. Entretien et inspection

Attention

Faire tous les travaux de maintenance, réglage ou nettoyage après avoir débranché la machine du réseau!

Huiler régulièrement avec un peu de graisse :

- l'arbre d'entraînement
- l'engrènement de la broche de perçage

Nettoyer régulièrement la machine

Remplacer immédiatement les dispositifs de protection endommagés ou usés.

Tous travaux de branchement et de réparation sur l'installation électrique doivent être exécutés uniquement par un électricien qualifié.

9. Détecteur de pannes

Moteur ne se met pas en route

*Pas de courant-
Vérifier le voltage.

*Défaut au moteur, bouton ou câble-
Contacter un électricien qualifié.

Mandrin se détache

*Cône sale ou avec trop de graisse-
Les surfaces de contact de l'arbre et du mandrin doivent être propres et exemptes de graisse.

Vibrations de la machine

*Mauvaise tension de courroie-
Contrôler la tension.

*L'arbre d'entraînement est trop sec-
Huiler l'arbre d'entraînement.

*Poulie à courroie lâche-
Resserrer l'écrou.

*Poulie du moteur lâche-
Resserrer la tige filetée.

*Perceur usé-
Aiguiser le perceur.

Perceur est surchauffé

*Mauvais choix de vitesse-
Réduire le nombre de tour.

*Perceur bouché par des copeaux-
Retirer plusieurs fois le perceur.

*Perceur usé-
Aiguiser le perceur.

*Pas assez d'avance de perçage-
Augmenter l'avance de perçage.

Déviations du trou de perçage

*Perceur asymétrique-
Aiguiser le perceur correctement

*Trou de perçage décalé-
Utiliser un alésoir de centrage.

*Perceur déformé-
Remplacer le perceur.

*Perceur non serré correctement -
Monter le perceur correctement.

Le croisé du laser n'est pas au centre du perçage

*Le croisé du laser n'est pas réglé correctement -
Régler le laser (voir chapitre 7.7)

Le laser de guidage ne s'allume pas

*Laser linéaire ou bien arrivée de courant défectueux -
Contacter un électricien qualifié.

Les réparations au niveau du laser de guidage doivent uniquement être réalisées par un spécialiste.

10. Protection de l'environnement

Protégez l'environnement !

Votre appareil comprend plusieurs matières premières différentes et recyclables. Pour éliminer l'appareil usagé, veuillez l'apporter dans un centre spécialisé de recyclage des appareils électriques.

11. Accessoires

Numéro d'article: 10000391

Socle d'appareil JDR-34.